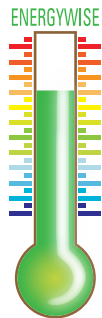




Cooling FANS

Economical and effective cooling

- Attractive design
- Three speed settings
- Pedestal or wall mounting
- Robust industrial construction
- Oscillating or fixed head positioning
- Reinforced and balanced steel blades



Benefits

- Creates a pleasant outdoor environment
- Creates a healthy work environment
- Increases staff productivity
- Reduces heat stress
- Low operating costs

Applications

- Factories & workshops
- Pools, patios, barbecues
- Restaurants, bars, & clubs
- Sporting & recreational areas
- Queues, walkways, or seating areas
- Greenhouses, livestock & farming enterprises

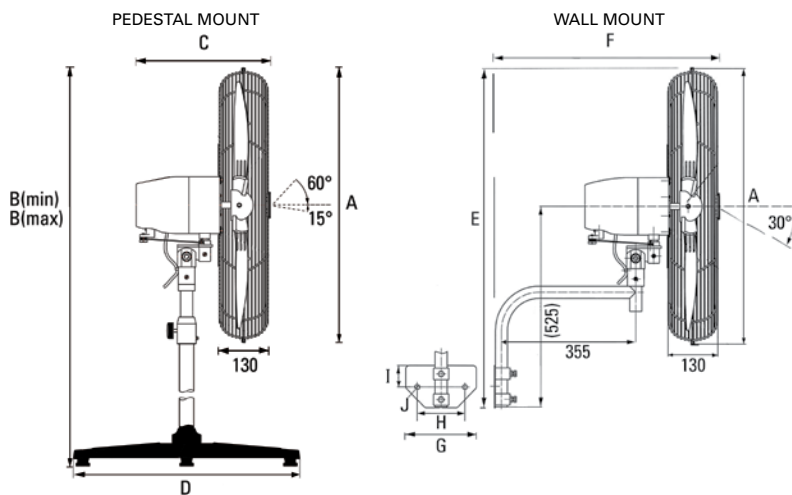


STANDARD PEDESTAL FAN

MISTING FAN

Dimensions

STANDARD FANS

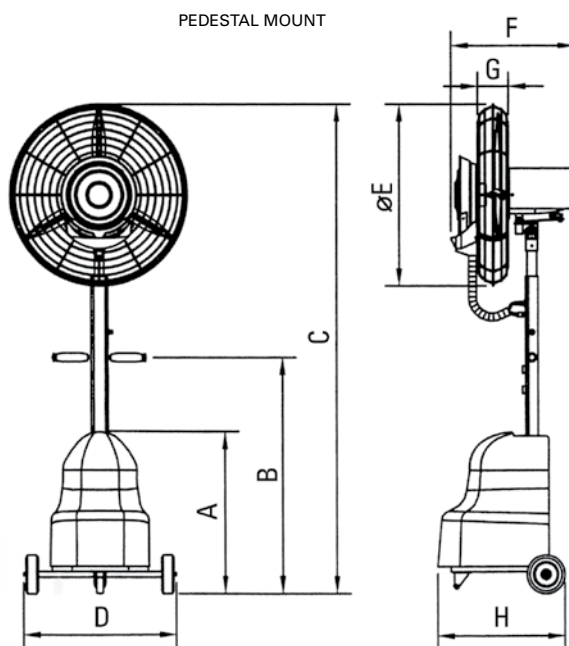


	A	B	B	C	D	E	F	G	H	I	J
	(min)	(max)	(max)								
FS65	720	1540	1770	350	700	-	-	-	-	-	-
FS75	820	1590	1810	370	700	-	-	-	-	-	-
FB65	720	-	-	350	-	890	595	185	122	110	18
FB75	820	-	-	370	-	930	595	185	122	110	18

MISTING FANS



Cooling FANS



Model	A	B	C	D	E	F	G	H
MFS 5-65	555	870	1725	540	ø715	440	125	530

Technical Data

Model	Type	Mounting	Fan Size	Power (W)	Voltage (V)	Airflow m ³ /min	Adjustable Height	Adjustable Tilt	Mist Volume (litres/hour max)	Noise Level	Mass	Shipping Dimensions (cm)	Standard Packaging (boxes)
MFS 65	Air/Mist	Pedestal	650	170	230	170	X	✓	7.5	66	26.6	(55 x 38 x 47) + (28 x 19 x 28.5) + (114 x 18.5 x 7.5) + (71 x 71 x 8)	4
FS 65	Air	Pedestal	650	230	230	205	✓	✓	-	57	23.5	97.5 x 75.5 x 17.5	1
FS 75	Air	Pedestal	750	350	230	290	✓	✓	-	65	28	106 x 85 x 17.5	1
FB 65	Air	Wall	650	230	230	205	X	✓	-	57	16.5	97.5 x 75.5 x 17.5	1
FB 75	Air	Wall	750	350	230	290	X	✓	-	65	21	106 x 85 x 17.5	1

SABS
I S O 9 0 0 1

CAPE TOWN HEAD OFFICE:
Tel: +27 (0) 21 931 8331
Fax: +27 (0) 21 931 3165
E-mail: sales@cfw.co.za
Website: www.cfw.co.za

JOHANNESBURG OFFICE:
Tel: +27 (0) 11 452 5830/3/4
Fax: +27 (0) 11 452 5132
Fax-to-email: 088 011 965 7176
E-mail: salesjhb@cfw.co.za

